

The JA-110R Bus module for wireless connection

The product is a component of the **JABLOTRON JA-100** system. It can be used to communicate with wireless detectors. Up to three JA-110R modules can be used in the system to extend the covered area. The device should be installed by a trained technician with a valid certificate issued by authorized distributor.

Installation

The module can be installed directly onto a control panel box cover or it can be placed in a suitable place in the building. The module should not be located near large metal objects, devices or electrical wires which could negatively influence wireless communication.

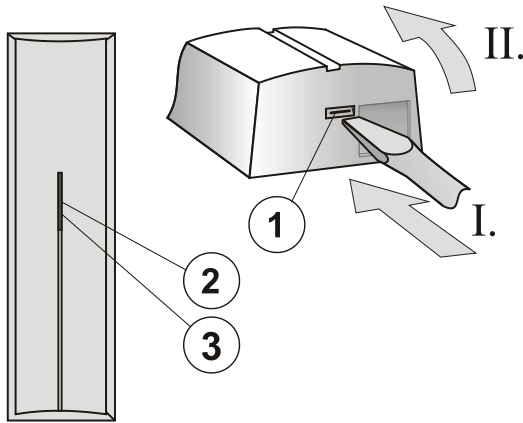


Figure: 1 – cover tab; 2 – yellow fault indicator; 3 – red communication indicator

1. **Open the cover** (by pushing the tab - 1).
2. When installing the module onto the control panel cover, attach its plastic base with screws as shown in the following figure.

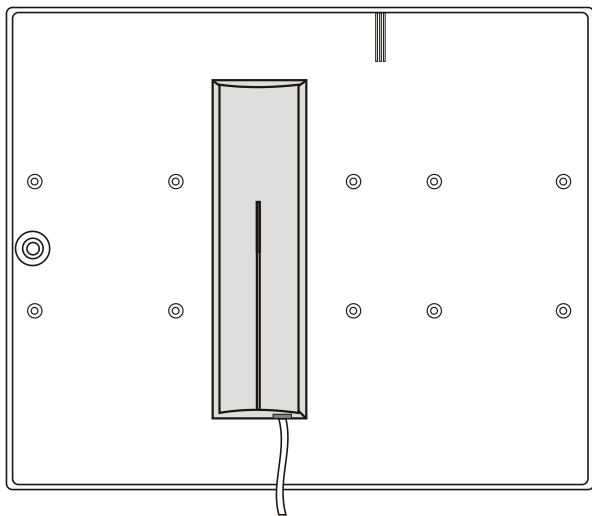


Figure: Location of the module on the control panel cover.

3. When installing the module on a wall in the building, prepare a bus cable inlet and attach the plastic base to the selected place with screws (vertical orientation is recommended).



When connecting the module to the bus, always switch the power off.

4. Connect the bus cable to the terminals (the cable must not interfere with the antenna space when the cover is closed). If the module is installed on the control panel cover, use a cable with the RJ connectors to connect the module.



The flat cable with RJ connectors used to connect the bus must not be longer than 3 m.

5. Proceed according to the control panel installation manual. Basic procedure:

- a. When the device is switched on, the yellow LED (2) starts flashing repeatedly to indicate that the module has not been enrolled into the system.
 - b. Go to the **F-Link** program, select the required position in the **Devices** window and launch the enrollment mode by clicking on the **Enroll** option.
 - c. Press the tamper contact in the module (6) – the module is thus enrolled and the yellow LED indicator goes off.
6. Close the module cover.

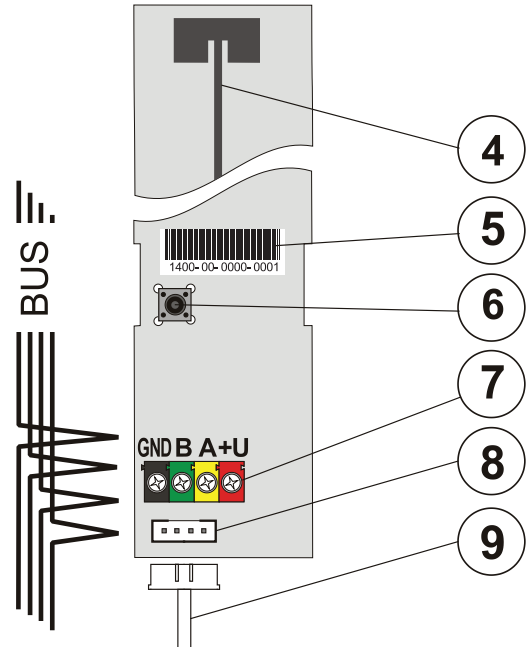


Figure: 4 – antenna; 5 – production code; 6 – tamper contact; 7 – bus terminals; 8 – bus connector; 9 – cable with connectors (for installing onto the control panel cover)

Setting of module properties

Go to the **Devices** window in the F-Link program. When you are on the module position, use the **Internal settings** option to open a dialog window where you can set:

LED indication during communication: The default setting is that the module indicates communication with wireless detectors with a red LED. This indication can be disabled.

Interference detection: It is disabled as a default. However, it can be set to two levels – **low** (interference lasts longer than 30s per one minute) and **high** (interference lasts longer than 10s per 20s). When the **detection** is enabled, the system is able to report communication band **interference**.

Enrollment signal: When you use this option in the program, the module sends an enrollment signal (intended only for wireless detectors which contain a receiver).

Technical specifications

Power	from control panel digital bus 12 V (9...15 V)
Current consumption in standby mode	25 mA
Current consumption for cable selection	25 mA
Radio communication	868.1 MHz
Dimensions	150 x 40 x 23 mm
Classification according to	Grade II
Operational environment according to EN 50131-1	EN 50131-1, EN 50131-3, EN 50131-5-3
Operating temperature range	II. Indoor general -10 to +40 °C
Also complies with	ETSI EN 300220, EN 50130-4 EN 55022, EN 60950-1
Can be operated according to	ERC REC 70-03



JABLOTRON ALARMS a.s. hereby declares that the JA-110R is in a compliance with the relevant Union harmonisation legislation: Directives No: 2014/53/EU, 2014/35/EU, 2014/30/EU, 2011/65/EU. The original of the conformity assessment can be found at www.jablotron.com - Section Downloads.



Note: Although this product does not contain any harmful materials we suggest you return the product to the dealer or directly to the producer after use.